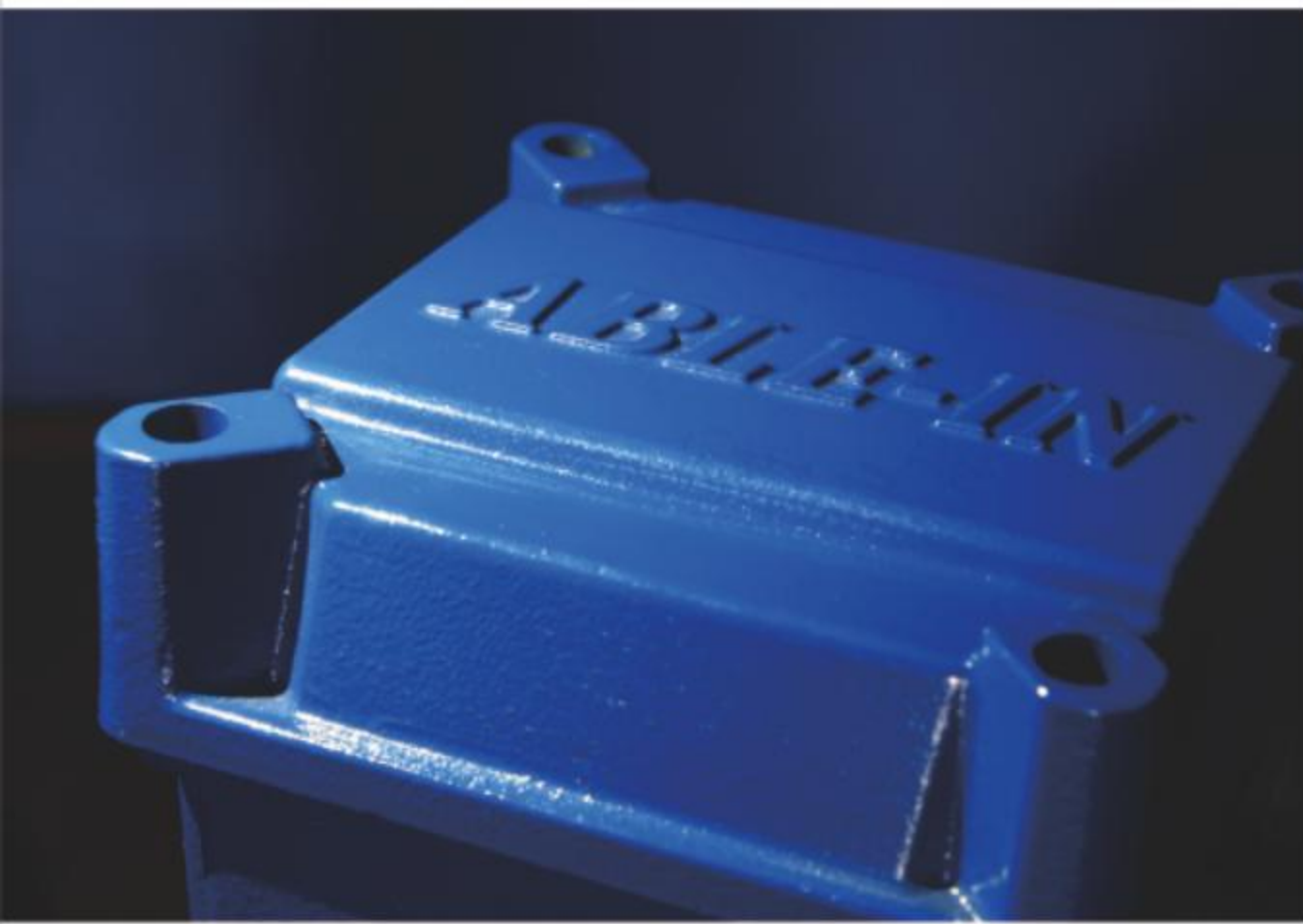


MC系列铝壳单相电容启动异步电动机

MC SERIES ALUMINUM HOUSING SINGLE PHASE CAPACITOR START INDUCTION MOTOR



产品简介

适用于：小型机床、医疗器械、家用电器、食品加工等机械的动力装置。
铝壳系列电动机，符合IEC标准，启动转矩是额定转矩的0.3~0.7倍。

产品特点

- IP54(IP55)
- 活动底脚
- 铝壳机座、端盖、底脚
- 高强度的密封圈
- 可供轴键和保护器
- 外形美观
- 适应于高负载工作
- 可供不锈钢轴
- S1连续工作制
- F级绝缘
- 高性能、高效率

产品优势

- 防水、防尘、防害
- 低噪音
- 节能
- 安装便捷
- 防腐
- 可靠
- 使用寿命长
- 适用于乡村、城市、工厂

PRODUCT INTRODUCTION

- Conform to the IEC standard
- Be made of selected quality materials, latest design in entirety.
- Applied in power devices of many machineries, such as small lathe, medical apparatus, household electric appliances, food processing and so on.
- Starting torque is 30%~70% of rated torque.

PRODUCT FEATURES

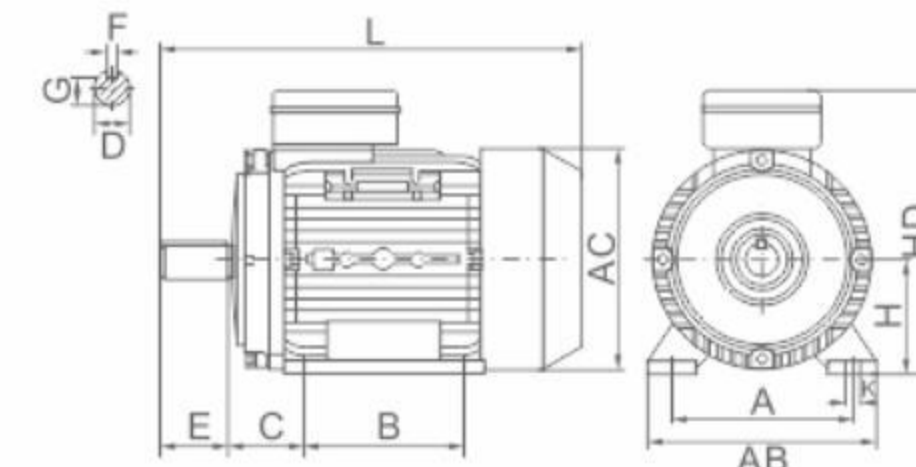
- IP54/IP55
- Multiple feet locations
- Aluminium frame, end shields and base
- High strength cable gland
- Shaft key and protector supplied
- Superior paint finish
- Motors made to heavy duty service factors
- Can be made with stainless steel shaft
- Motors made for continuous S1 duty
- Grade F insulation
- High performance and efficiency

PRODUCT ADVANTAGE

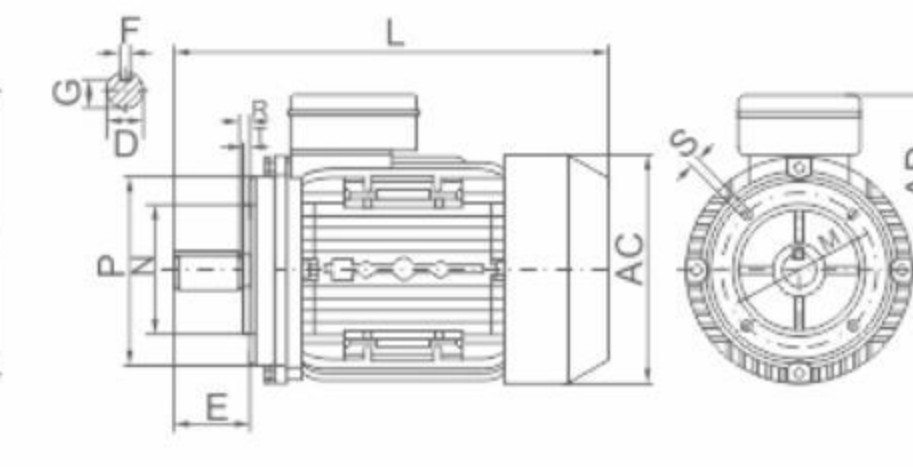
- Water, dust and vermin resistant
- Quiet operation
- Energy saving
- Easy installation (bolt on feet or brackets as required)
- Corrosion resistant
- Dependable
- Superior life
- Reliable in country, city or factory environments

ABLE[®]
ABLE MOTOR
www.ablecn.com

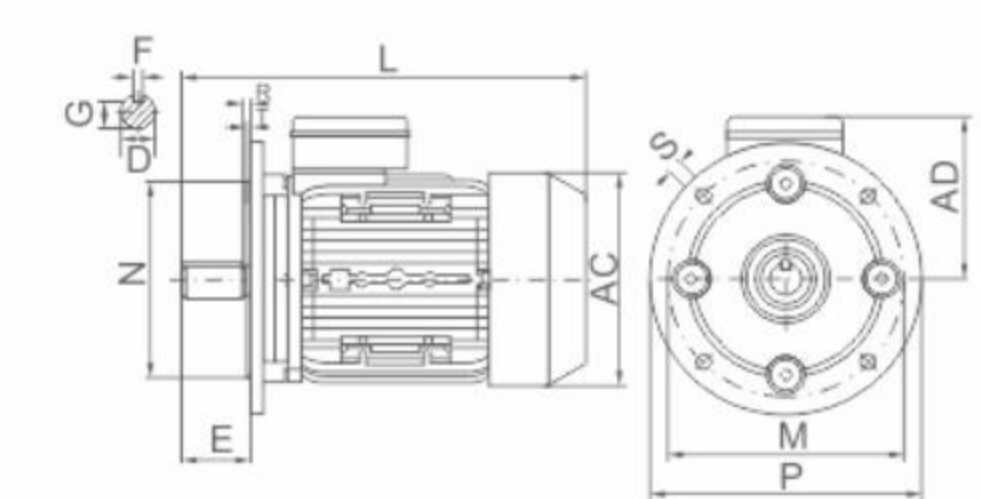
IMB3



IMB14



IMB5



外形及安装尺寸 INSTALLATION AND OVERALL DIMENSIONS

机座号 Frame Size	安装尺寸 Mounting Dimensions (mm)																外形尺寸 Overall Dimensions(mm)									
	IMB14																IMB5									
	A	B	C	D	E	F	G	H	K	M	N	P	R	S	T	M	N	P	R	S	T	AB	AC	AD	HD	L
71	112	90	45	14	30	5	11	71	7	85	70	105	0	M6	2.5	130	110	160	0	10	3.5	145	145	125	205	255
80	125	100	50	19	40	6	15.5	80	10	100	80	120	0	M6	3	165	130	200	0	12	3.5	160	165	135	235	295
90S	140	100	56	24	50	8	20	90	10	115	95	140	0	M8	3	165	130	200	0	12	3.5	180	185	145	265	335
90L	140	125	56	24	50	8	20	90	10	115	95	140	0	M8	3	165	130	200	0	12	3.5	180	185	145	265	360
100L	160	140	63	28	60	8	24	100	12	130	110	160	0	M8	3.5	215	180	250	0	15	4	205	215	170	280	380
112M	190	140	70	28	60	8	24	112	12	130	110	160	0	M8	3.5	215	180	250	0	15	4	245	240	180	310	400

技术参数 TECHNICAL DATA

型号 Model	额定功率 Rated Power	电压 Voltage	电流 Rated Current	额定转速 Speed	效率 Eff.	功率因数 PF	堵转转矩 额定转矩 Tst/Tn	最大转矩 额定转矩 Tmax/Tn	起动电流 Starting Current	重量 N.G
	kW	V	A	rpm	η(%)	cosφ			A	kg
MC711-2	0.18	220	1.89	2800	60.0	0.72	3.0	1.8	12.0	6.5
MC712-2	0.25	220	2.40	2800	64.0	0.74	3.0	1.8	15.0	6.8
MC801-2	0.37	220	3.36	2800	65.0	0.77	2.8	1.8	21.0	8.3
MC802-2	0.55	220	4.65	2800	68.0	0.79	2.8	1.8	29.0	9.0
MC90S-2	0.75	220	6.09	2800	70.0	0.80	2.5	1.8	37.0	12.5
MC90L-2	1.10	220	8.68	2800	72.0	0.80	2.5	1.8	60.0	14.0
MC100L1-2	1.50	220	11.3	2900	74.0	0.81	2.5	1.8	80.0	22.5
MC711-4	0.12	220	1.88	1400	50.0	0.58	3.0	1.8	9.00	6.5
MC712-4	0.18	220	2.49	1400	53.0	0.62	2.8	1.8	12.0	6.7
MC801-4	0.25	220	3.11	1400	58.0	0.63	2.8	1.8	15.0	8.9
MC802-4	0.37	220	4.24	1400	62.0	0.64	2.8	1.8	21.0	9.6
MC90S-4	0.55	220	5.49	1400	66.0	0.69	2.5	1.8	29.0	12.5
MC90L-4	0.75	220	6.87	1400	68.0	0.73	2.5	1.8	37.0	15.0
MC100L1-4	1.10	220	9.52	1450	71.0	0.74	2.5	1.8	60.0	23.0
MC100L2-4	1.50	220	12.4	1450	73.0	0.75	2.5	1.8	80.0	27.0
MC112M-4	2.20	220	17.7	1450	74.0	0.76	2.2	1.8	120	35.0

Electro~Motor.ir

MY铝壳系列单相电容运转异步电动机

MY SERIES ALUMINUM HOUSING SINGLE PHASE CAPACITOR RUNNING INDUCTION MOTOR



产品简介

适用于：小型机床、医疗器械、家用电器、食品加工等机械的动力装置。
铝壳系列电动机，符合IEC标准，启动转矩是额定转矩的0.3~0.7倍。

产品特点

- IP54(IP55)
- 活动底脚
- 铝壳机座、端盖、底脚
- 高强度的密封圈
- 可供轴键和保护器
- 外形美观
- 适应于高负载工作
- 可供不锈钢轴
- S1连续工作制
- F级绝缘
- 高性能、高效率

产品优势

- 防水、防尘、防害
- 低噪音
- 节能
- 安装便捷
- 防腐
- 可靠
- 使用寿命长
- 适用于乡村、城市、工厂

PRODUCT INTRODUCTION

- Conform to the IEC standard
- Be made of selected quality materials, latest design in entirety.
- Applied in power devices of many machineries, such as small lathe, medical apparatus, household electric appliances, food processing and so on.
- Starting torque is 30%~70% of rated torque.

PRODUCT FEATURES

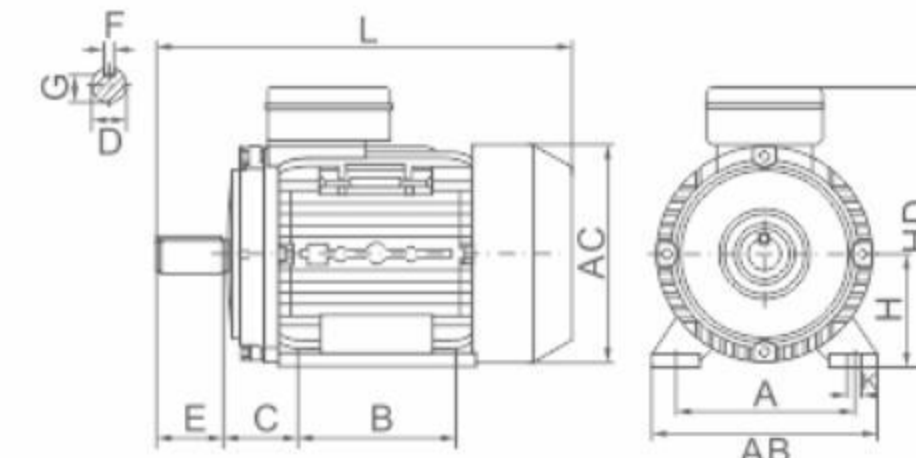
- IP54/IP55
- Multiple feet locations
- Aluminium frame, end shields and base
- High strength cable gland
- Shaft key and protector supplied
- Superior paint finish
- Motors made to heavy duty service factors
- Can be made with stainless steel shaft
- Motors made for continuous S1 duty
- Grade F insulation
- High performance and efficiency

PRODUCT ADVANTAGE

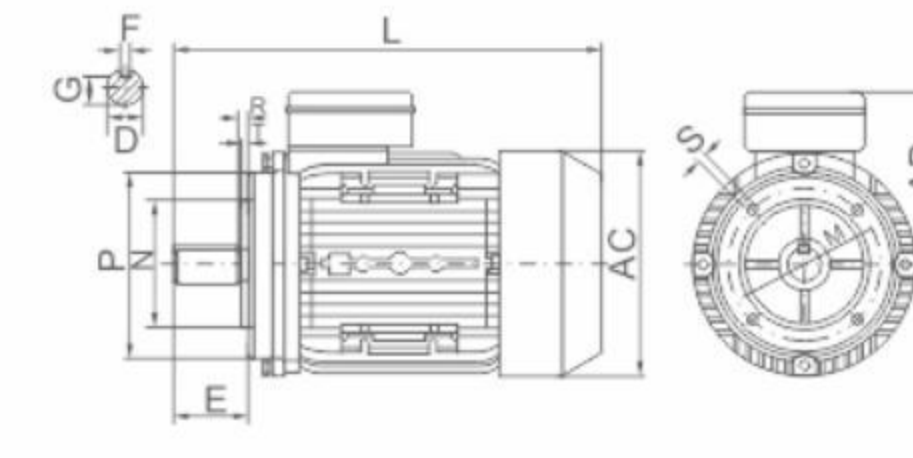
- Water, dust and vermin resistant
- Quiet operation
- Energy saving
- Easy installation (bolt on feet or brackets as required)
- Corrosion resistant
- Dependable
- Superior life
- Reliable in country, city or factory environments

ABLE[®]
ABLE MOTOR
www.ablecn.com

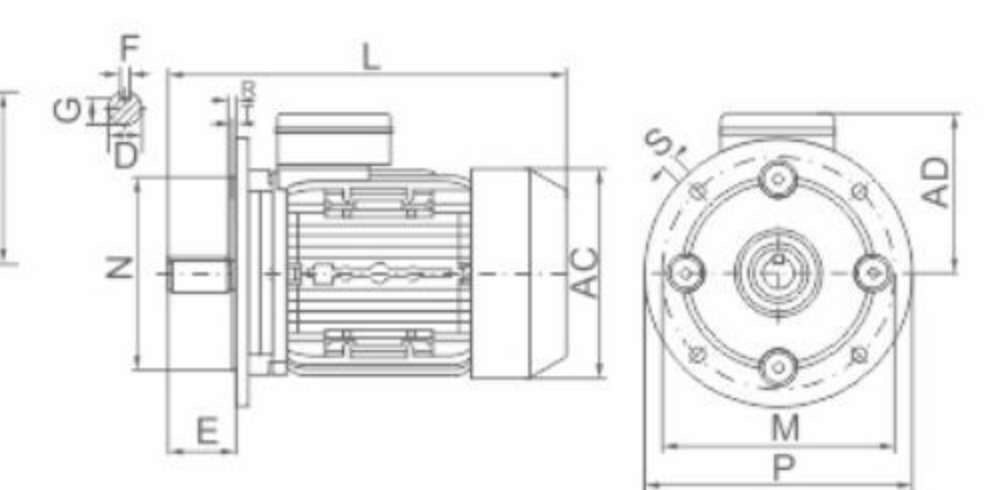
IMB3



IMB14



IMB5



外形及安装尺寸 INSTALLATION AND OVERALL DIMENSIONS

机座号 Frame Size	安装尺寸 Mounting Dimensions (mm)																				外形尺寸 Overall Dimensions (mm)					
	IMB3										IMB14					IMB5					AB	AC	AD	HD	L	
	A	B	C	D	E	F	G	H	K	L	M	N	P	R	S	T	M	N	P	R						S
63	100	80	40	11	23	4	8.5	63	7	75	60	90	0	M5	2.5	115	95	140	0	10	3	130	130	120	185	230
71	112	90	45	14	30	5	11	71	7	85	70	105	0	M6	2.5	130	110	160	0	10	3.5	145	145	130	205	250
80	125	100	50	19	40	6	15.5	80	10	100	80	120	0	M6	3	165	130	200	0	12	3.5	160	165	145	225	295
90S	140	100	56	24	50	8	20	90	10	115	95	140	0	M8	3	165	130	200	0	12	3.5	180	185	150	240	335
90L	140	125	56	24	50	8	20	90	10	115	95	140	0	M8	3	165	130	200	0	12	3.5	180	185	150	240	360

技术参数 TECHNICAL DATA

型号 Model	额定功率 Rated Power	电压 Voltage	电流 Rated Current	额定 转速 Speed	效率 Eff.	功率 因数 P.F.	堵转转矩 额定转矩 Tst/Tn	最大转矩 额定转矩 Tmax/Tn	起动电流 Starting Current	重量 N.G
	KW	V	A	rpm	η(%)	cosφ			A	kg
MY631-2	0.18	220	1.48	2800	60	0.92	0.4	1.7	5.00	3.9
MY632-2	0.25	220	1.96	2800	63	0.92	0.4	1.7	7.00	4.4
MY711-2	0.37	220	2.73	2800	67	0.92	0.4	1.7	10.0	6.2
MY712-2	0.55	220	3.88	2800	70	0.92	0.4	1.7	15.0	6.5
MY801-2	0.75	220	5.15	2800	72	0.92	0.3	1.7	20.0	8.3
MY802-2	1.10	220	7.02	2800	75	0.95	0.3	1.7	30.0	9.0
MY90S-2	1.50	220	9.44	2800	76	0.95	0.3	1.7	45.0	13.0
MY90L-2	2.20	220	13.6	2800	77	0.95	0.3	1.7	65.0	15.0
MY631-4	0.12	220	1.10	1400	55	0.90	0.4	1.7	3.50	4.0
MY632-4	0.18	220	1.62	1400	56	0.90	0.4	1.7	5.00	4.5
MY711-4	0.25	220	2.02	1400	61	0.92	0.4	1.7	7.00	6.1
MY712-4	0.37	220	2.95	1400	62	0.92	0.4	1.7	10.0	7.0
MY801-4	0.55	220	4.25	1400	64	0.92	0.4	1.7	15.0	9.5
MY802-4	0.75	220	5.45	1400	68	0.92	0.3	1.7	20.0	10.0
MY90S-4	1.10	220	7.45	1400	71	0.95	0.3	1.7	30.0	13.0
MY90L-4	1.50	220	9.83	1400	73	0.95	0.3	1.7	45.0	16.0

Electro-Motor.ir

ML铝壳系列单相双值电容异步电动机

ML SERIES ALUMINUM HOUSING SINGLE PHASE DUAL-VALUE CAPACITOR INDUCTION MOTOR



产品简介

铝壳系列电动机，符合IEC标准，启动转矩是额定转矩的1.8~2.5倍。

产品特点

- IP54(IP55)
- 活动底脚
- 铝壳机座、端盖、底脚
- 高强度的密封圈
- 可供轴键和保护器
- 外形美观
- 适应于高负载工作
- 可供不锈钢轴
- S1连续工作制
- F级绝缘
- 高性能、高效率

产品优势

- 防水、防尘、防害
- 低噪音
- 节能
- 安装便捷
- 防腐
- 可靠
- 使用寿命长
- 适用于乡村、城市、工厂

PRODUCT INTRODUCTION

- Conform to the IEC standard
- Be made of selected quality materials, latest design in entirety.
- Good performance, low noise, little vibration, and safety and reliable operation
- Nice appearance, light weight
- Be maintained very conveniently, simple construction
- Starting torque is 1.8~2.5 times of rated torque.

PRODUCT FEATURES

- IP54/IP55
- Multiple feet locations
- Aluminium frame, end shields and base
- High strength cable gland
- Shaft key and protector supplied
- Superior paint finish
- Motors made to heavy duty service factors
- Can be made with stainless steel shaft
- Motors made for continuous S1 duty
- Grade F insulation
- High performance and efficiency

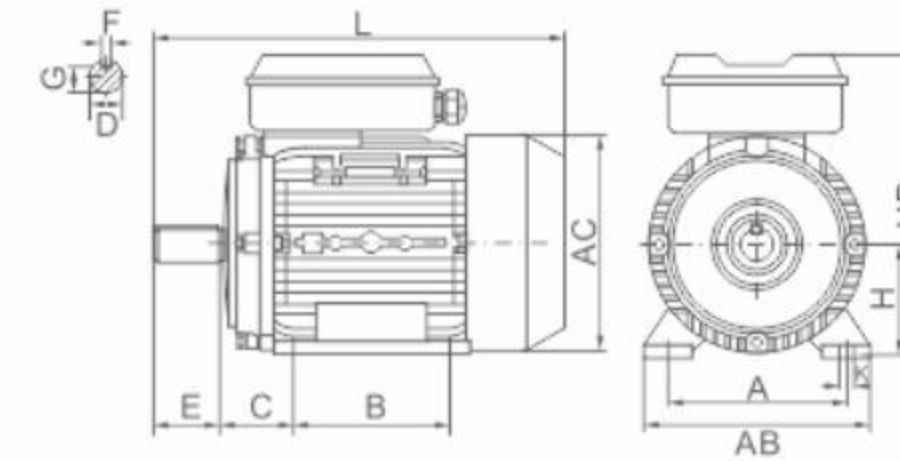
PRODUCT ADVANTAGE

- Water, dust and vermin resistant
- Quiet operation
- Electricity saving
- Easy installation (bolt on feet or brackets as required)
- Corrosion resistant
- Dependable
- Superior life
- Reliable in country, city or factory environments

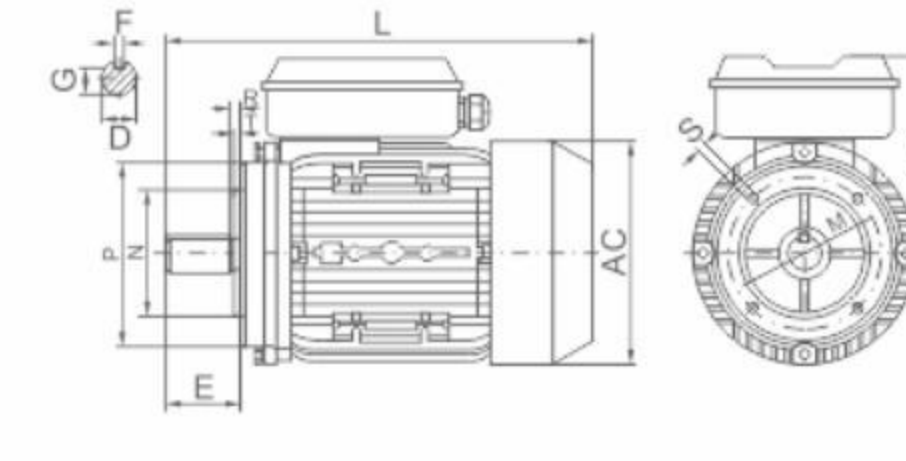


www.ablecn.com

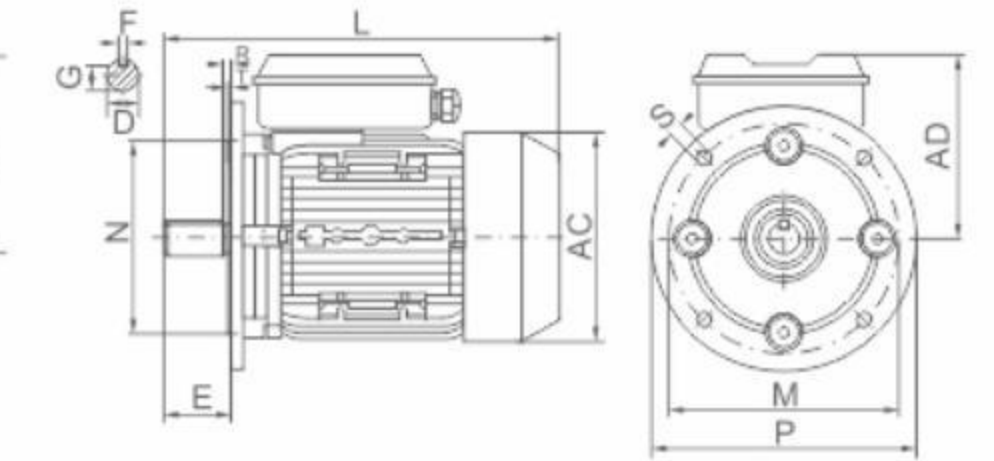
IMB3



IMB14



IMB5



外形及安装尺寸 INSTALLATION AND OVERALL DIMENSIONS

机座号 Frame Size	安装尺寸 Mounting Dimensions (mm)															外形尺寸 Overall Dimensions(mm)										
	IMB14															IMB5										
	A	B	C	D	E	F	G	H	K	M	N	P	R	S	T	M	N	P	R	S	T	AB	AC	AD	HD	L
63	100	80	40	11	23	4	8.5	63	7	75	60	90	0	M5	2.5	115	95	140	0	10	3	130	130	120	188	235
71	112	90	45	14	30	5	11	71	7	85	70	105	0	M6	2.5	130	110	160	0	10	3.5	145	145	135	206	250
80	125	100	50	19	40	6	15.5	80	10	100	80	120	0	M6	3	165	130	200	0	12	3.5	160	165	145	225	305
90S	140	100	56	24	50	8	20	90	10	115	95	140	0	M8	3	165	130	200	0	12	3.5	180	185	155	245	335
90L	140	125	56	24	50	8	20	90	10	115	95	140	0	M8	3	165	130	200	0	12	3.5	180	185	155	245	360
100L	160	140	63	28	60	8	24	100	12	130	110	160	0	M8	3.5	215	180	250	0	15	4	205	215	170	270	405

技术参数 TECHNICAL DATA

型号 Model	额定功率 Rated Power	电压 Voltage	电流 Rated Current	额定转速 Speed	效率 Eff.	功率因数 PF.	堵转转矩 额定转矩 Tst/Tn	最大转矩 额定转矩 Tmax/Tn	起动电流 Starting Current	重量 N.G
	kW	V	A	rpm	η(%)	cosφ			A	kg
ML6312	0.18	220	1.55	2800	63.0	0.92	2.0	1.8	5.00	5.0
ML6322	0.25	220	1.80	2800	65.0	0.92	2.0	1.8	6.00	5.5
ML7112	0.37	220	2.73	2800	67.0	0.92	2.3	1.8	16.0	7.0
ML7122	0.55	220	3.88	2800	70.0	0.92	2.5	1.8	21.0	8.0
ML8012	0.75	220	5.15	2800	72.0	0.92	2.5	1.8	30.0	8.5
ML8022	1.10	220	7.02	2800	75.0	0.95	2.5	1.8	40.0	9.5
ML90S-2	1.50	220	9.44	2800	76.0	0.95	2.5	1.8	55.0	12.5
ML90L-2	2.20	220	13.6	2800	77.0	0.95	2.5	1.8	80.0	14.0
ML100L-2	3.00	220	18.2	2800	79.0	0.95	2.5	1.8	110	20.5
ML6314	0.12	220	1.25	1400	53.0	0.92	2.0	1.7	3.0	5.0
ML6324	0.18	220	1.65	1400	54.0	0.92	2.0	1.7	5.0	5.5
ML7114	0.25	220	1.99	1400	62.0	0.92	2.5	1.8	12.0	6.9
ML7124	0.37	220	2.81	1400	65.0	0.92	2.5	1.8	16.0	8.1
ML8014	0.55	220	4.00	1400	68.0	0.92	2.5	1.8	21.0	8.9
ML8024	0.75	220	5.22	1400	71.0	0.92	2.5	1.8	30.0	9.6
ML90S-4	1.10	220	7.20	1400	73.0	0.95	2.5	1.8	40.0	13.0
ML90L-4	1.50	220	9.57	1400	75.0	0.95	2.5	1.8	55.0	16.0
ML100L-4	2.20	220	13.9	1400	76.0	0.95	2.5	1.8	80.0	23.0
ML100L2-4	3.00	221	18.6	1400	77.0	0.95	2.5	1.8	110	27.0

Electro-Motor.ir