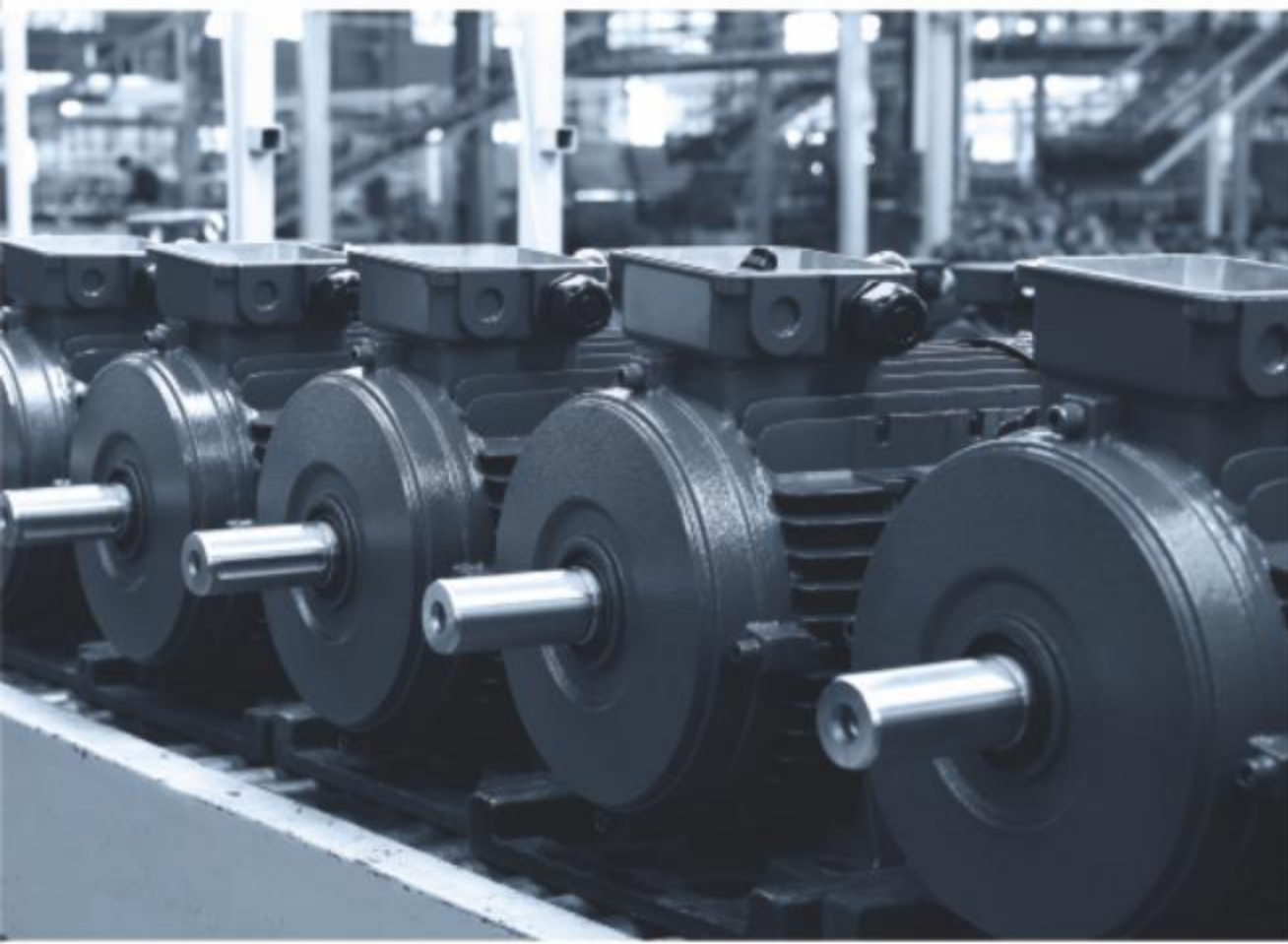


MSE3韩国市场铝壳三相异步电动机

MSE3 SERIES OF THREE PHASE (ALUMINUM HOUSING) ASYNCHRONOUS MOTOR FOR SOUTH KOREAN MARKET

IE3-60HZ



产品简介

该系列电动机是专门为韩国市场设计三相异步电动机，拥有KC产品安全认证，适用于水泵、风机、空压机、减速机、真空泵等产品的配套使用，可广泛应用于工业、商业、建筑业、楼宇给水和农业灌溉等众多领域。

产品特点

- 功率范围：0.75-18.5kW
- 机座号：80-160
- 能效等级：IE3
- 电压：支持多种电压
- 频率：60Hz
- 冷却方式：IC411
- 防护等级：IP55
- 绝缘等级：F
- 环境温度：-15~40℃
- 海拔高度：不超过1000m

产品优势

- 结构紧凑
- 外形美观
- 低噪音
- 起动转矩大
- 高效节能
- 安装便捷，维护方便
- 可靠耐用

PRODUCT INTRODUCTION

This series of motor is especially designed for South Korean Market. It has "KC" Korea certification. It could be applied as a drive of pump, blower, air compressor, gear reducer, and vacuum pump, etc. that can be widely used in the variety of fields, such as industry, commerce, construction, water supply and agricultural irrigation, etc.

PRODUCT FEATURES

- Output: 0.75-18.5kW
- Frame size: 80-160
- Efficiency: IE3
- Voltage: multi-voltage available
- Frequency: 60Hz
- Cooling method: IC411
- Protection grade: IP55
- Insulation class: F
- Ambient temperature: -15~40℃
- Altitude: not exceeding 1000m

PRODUCT ADVANTAGE

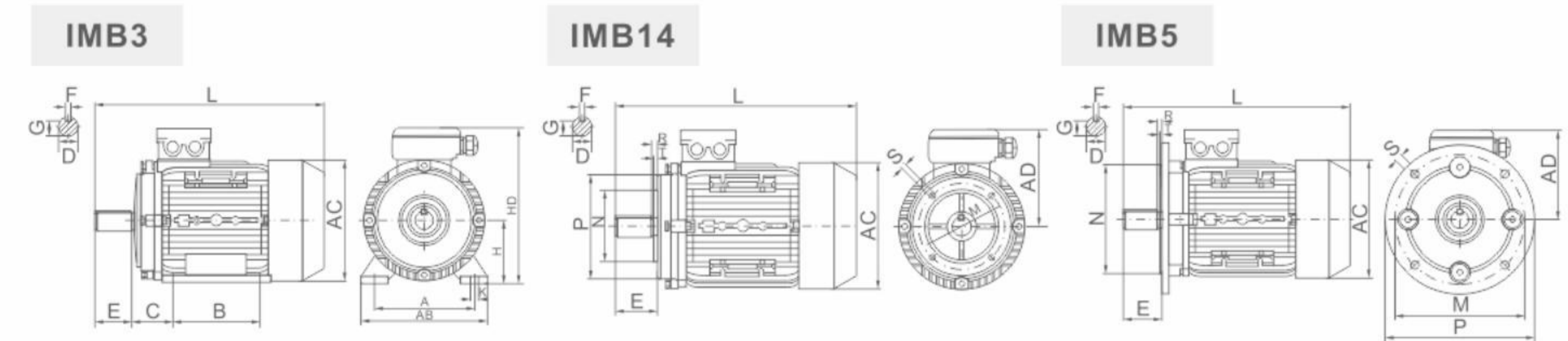
- Compact structure design
- Attractive appearance
- Low noise
- High starting torque
- High efficiency and energy saving
- Easy installation and maintenance
- Reliable and durable

ABLE[®]
ABLE MOTOR
www.ablecn.com

技术参数 TECHNICAL DATA

IE3

型号 Model	额定功率 Rated Power		额定电流 Rated Current (A) 60Hz			额定转速 Speed (rpm)	效率 Efficiency η(%)/60Hz			功率因数 P.F. cosφ			额定转矩 Tn	堵转转矩 Tst/Tn	最大转矩 Tmax/Tn	启动电流 Ist/In	净重 N.G
	KW	HP	220V	380V	660V		100%	75%	50%	100%FL	75%FL	50%FL					
MSE3-801-2	0.75	1	3.12	1.80	1.04	3480	77.0	80.0	76.5	0.82	0.79	0.72	2.06	2.3	2.8	8	9.5
MSE3-802-2	1.1	1.5	4.14	2.40	1.38	3492	84.0	83.9	81.5	0.83	0.80	0.74	3.01	2.6	3	8.5	10.5
MSE3-90S-2	1.5	2	5.42	3.14	1.81	3480	85.5	85.0	82.4	0.85	0.83	0.76	4.1	2.3	2.8	9.3	15
MSE3-90L-2	2.2	3	7.95	4.60	2.65	3498	86.5	86.4	84.6	0.84	0.81	0.75	6.0	2.5	3.0	9.0	19
MSE3-100L-2	3	4	10.3	5.99	3.45	3492	88.5	88.1	86.1	0.86	0.84	0.78	8.2	3.0	3.5	9.7	25
MSE3-112M-2	4	5.5	13.3	7.72	4.44	3505	88.5	88.3	86.6	0.89	0.87	0.82	10.9	2.5	3.0	9.6	34
MSE3-132S1-2	5.5	7.5	18.3	10.6	6.11	3510	89.5	88.9	86.8	0.88	0.86	0.81	15.0	2.3	2.8	9.6	49.5
MSE3-132S2-2	7.5	10	24.5	14.2	8.17	3516	90.2	89.8	88.0	0.89	0.87	0.82	20.4	2.3	2.8	9.0	55
MSE3-132M1-2	9.2	12.5	30.1	17.4	10.03	3516	90.2	90.1	88.3	0.89	0.87	0.82	25.0	2.1	2.8	9.3	62
MSE3-132M2-2	11	15	35.6	20.6	11.9	3534	91.0	90.6	88.5	0.89	0.87	0.82	29.7	2.38	4.14	9.12	76.5
MSE3-160M1-2	11	15	35.6	20.6	11.9	3534	91.0	90.6	88.5	0.89	0.87	0.82	29.7	2.38	4.14	9.12	99
MSE3-160M2-2	15	20	48.1	27.8	16.0	3534	91.0	91.1	89.5	0.90	0.89	0.84	40.5	2.32	3.77	8.56	108
MSE3-160L-2	18.5	25	58.2	33.7	19.4	3528	91.7	91.7	90.2	0.91	0.90	0.85	50.1	2.26	3.73	8.69	118
MSE3-802-4	0.75	1	3.11	1.80	1.04	1734	85.5	84.5	80.9	0.74	0.70	0.62	4.1	2.5	2.8	6.6	12
MSE3-90S-4	1.1	1.5	4.39	2.54	1.46	1734	86.5	85.5	84.5	0.76	0.72	0.65	6.1	2.5	3	8	14.5
MSE3-90L-4	1.5	2	5.91	3.42	1.97	1728	86.5	86.5	87.8	0.77	0.73	0.66	8.3	2.9	3.2	7.5	18.5
MSE3-100L1-4	2.2	3	8.17	4.73	2.72	1746	89.5	89.6	88.1	0.79	0.76	0.68	12.0	2.6	3.2	9.1	27
MSE3-100L2-4	3	4	11.0	6.37	3.67	1746	89.5	88	86.2	0.80	0.77	0.70	16.4	2.6	3	8.2	30
MSE3-112M-4	4	5.5	14.3	8.28	4.77	1746	89.5	89.8	88.5	0.82	0.79	0.72	21.9	2.7	3.2	9.1	38
MSE3-132S-4	5.5	7.5	19.0	11.0	6.32	1752	91.7	91.3	90.2	0.83	0.80	0.74	30.0	2.2	2.8	9.0	50
MSE3-132M-4	7.5	10	25.6	14.8	8.52	1752	91.7	91.8	91.1	0.84	0.81	0.75	40.9	2.5	2.8	9.3	58
MSE3-132M2-4	9.2	12.5	31.0	17.9	10.33	1760	91.7	91.4	90.4	0.85	0.83	0.76	49.9	2.5	3.0	9.6	68
MSE3-160M-4	11	15	37.2	21.5	12.40	1760	92.4	92.1	90.9	0.84	0.81	0.75	59.7	2.4	2.63	7.59	111
MSE3-160L-4	15	20	50.2	29.1	16.73	1760	93.0	92.8	91.8	0.84	0.82	0.75	81.4	3.12	3.1	9.19	117



外形及安装尺寸 INSTALLATION AND OVERALL DIMENSIONS

机座号 Frame Size	安装尺寸 Mounting Dimensions (mm)															外形尺寸 Overall Dimensions(mm)										
	IMB3					IMB14					IMB5					Overall Dimensions(mm)										
	A	B	C	D	E	F	G	H	K	M	N	P	R	S	T	M	N	P	R	S	T	AB	AC	AD	HD	L
80M	125	100	50	19	40	6	15.5	80	10	100	80	120	0	M6	3	165	130	200	0	12	3.5	160	159	126	206	298
90S	140	100	56	24	50	8	20	90	10	115	95	140	0	M8	3	165	130	200	0	12	3.5	177	175	132	222	337
90L	140	125	56	24	50	8	20	90	10	115	95	140	0	M8	3	165	130	200	0	12	3.5	177	175	132	222	362
100L	160	140	63	28	60	8	24	100	12	130	110	160	0	M8	3.5	215	180	250	0	14.5	4	205	198	147	247	406
112M	190	140	70	28	60	8	24	112	12	130	110	160	0	M8	3.5	215	180	250	0	14.5	4	222	219	168	280	430
132S	216	140	89	38	80	10	33	132	12	165	130	200	0	M10	3.5	265	230	300	0	14.5	4	256	258	187	319	492
132M	216	178	89	38	80	10	33	132	12	165	130	200	0	M10	3.5	265	230	300	0	14.5	4	256	258	187	319	530
160M	254	210	108	42	110	12	37	160	14.5	215	180	250	0	M12	4	300	250	350	0	18.5	5	302	314	245	405	619
160L	254	254	108	42	110	12	37	160	14.5	215	180	250	0	M12	4	300	250	350	0	18.5	5	302	314	245	405	663

Electro-Motor.ir